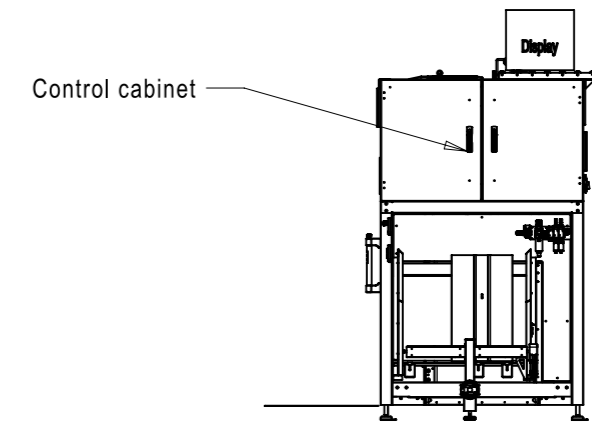
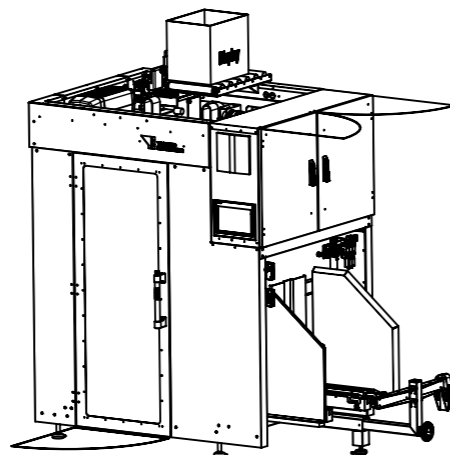


Integrated vacuum pump



Notes:		Stock dimension:		Cut length:	
-					
General tolerances for features without individual tolerance indications:		Additional standards that applies to the drawing:		Surface treatment:	
NS-ISO 2768-1-c		n/a		n/a	
Date:		Prepared by:		Total qty. for production	
26.04.24		HR			
Checked by/Date:		Approved by/Date:		Scale: 1:50	
				Projection:	
Item information/Item name:					
				Tronrud Engineering AS, Flyplassveien 22, N-3514 Hønefoss tel: +47 32 16 18 20 fax: +47 32 15 75 68 www.tronrud.no	
Format		Item #:		Rev:	
A3		D-1260141		A	
Process:		Part of welded item #:		Source item #:	
				SHEET 1 OF 1	

PROPRIETARY INFORMATION  
 Information contained  
 in this document is  
 disclosed in confidence,  
 and may not be duplicated  
 for other than internal  
 purpose without prior  
 written approval.