

No go zone.(Box picker working in this area)

Tray infeed option

Top taper

HMI

Air/EI connection

Reject

Bag airfill checker (BAC)

Bag conditioner (BC)

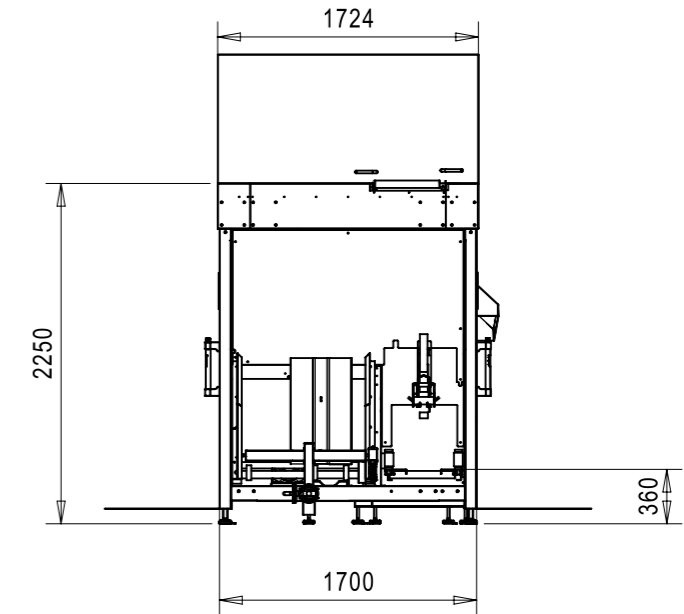
Waste conveyor (WC)

3880

3915 ± 100

5100

9013 ± 100



Center line bag filler jaws, to be 1/4 of bag thickness in front of endwall drop chute.

Blank magazine RSC

HMI LR (Standard)

750

2752

776

EI-cabinet

3215

Outfeed

Vacuum conection (IF central)

HMI RL (slave, option)

|   |  |   |  |                           |  |
|---|--|---|--|---------------------------|--|
| Notes:  |  | Stock dimension:  |  | Cut length:               |  |
| General tolerances for features without individual tolerance indications:<br>NS-ISO 2768-1-m  |  | Additional standards that applies to the drawing:<br>n/a  |  | Surface treatment:<br>n/a |  |
| Date:<br>27.01.22   |  | Prepared by:<br>HR  |  | Total qty. for production |  |
| Checked by/Date:  |  | Approved by/Date:   |  | Scale:<br>1:50            |  |
| Projection:<br>⊲  |  | Item information/Item name:<br>TCP C3 TT Light  |  | Format<br>A3              |  |
| Process:  |  | Part of welded item #:  |  | Source item #:            |  |
| Alternate item #:   |  | Material:<br>S235JR   |  | Rev:<br>A                 |  |
| <p style="writing-mode: vertical-rl; transform: rotate(180deg);">PROPRIETARY INFORMATION<br/>Information contained in this document is disclosed in confidence, and may not be duplicated for other than internal purpose without prior written approval.</p> |  | <p>Tronrud Engineering AS, Flyplassveien 22, N-3514 Hønefoss<br/>tel: +47 32 16 18 20<br/>fax: +47 32 15 75 68<br/>www.tronrud.no</p> |  |                           |  |
|   |  |   |  | SHEET 1 OF 1              |  |